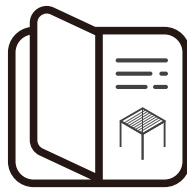


# Sun blinds

Assembly instructions



# We appreciate your purchase of our Sun blinds.



## Instruction Manual

This guide will give you step-by-step instructions on how to assemble and care for your Sun blinds, ensuring it lasts for years of enjoyment and reliable use.

Be sure to follow all steps carefully, as in correct installation may result in serious injury.

---

### **IMPORTANT:**

Warning: Safety Instructions

For the safety of individuals, it is crucial to follow these instructions. Please retain them for future reference

For children aged 8 years and older, as well as individuals with reduced physical, sensory, or mental abilities, or those lacking experience and knowledge, provided they have received proper supervision or instruction on how to use the appliance safely and are aware of the potential hazards.

Children should not be allowed to play with the appliance. Cleaning and maintenance tasks should only be performed by children under supervision.

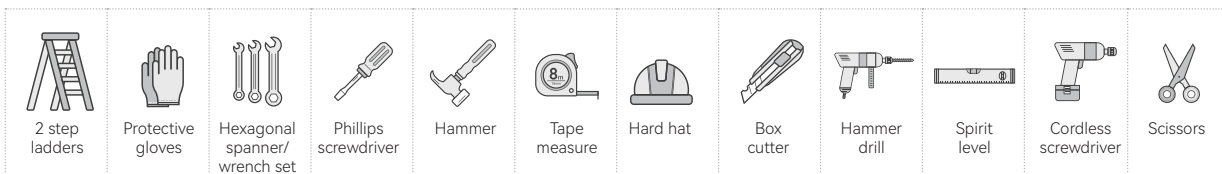
This Sun blinds is designed for outdoor residential use, providing protection from direct sunlight, glare, and heat.

Any use or modification not outlined in this manual is considered improper and could pose significant risks to both users and property. Such actions will void the product warranty.

# BEFORE THE INSTALLATION

## PREPARE ALL THE NECESSARY TOOLS

To assemble your Sun blinds LED Light Strip properly and safely, make sure you have the following tools and accessories on hand, as these are not included.



## CHECK FOR MISSING PARTS:

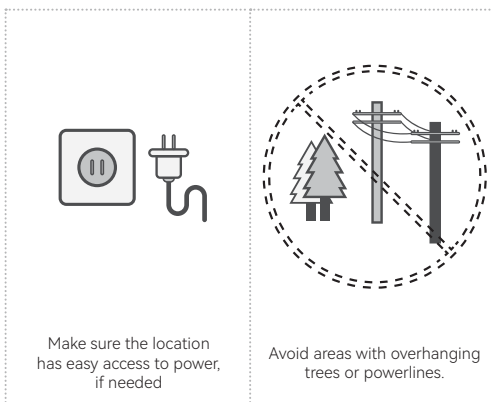
Before starting the installation, verify that you have all the necessary parts to assemble your e-Motion. Double-check that the quantity of parts matches the model you purchased.

If any parts are missing, please reach out to customer service before proceeding with the installation.

## PREPARE THE PARTS FOR EACH STEP:

In the Installation section of the manual, each step specifies the parts and quantities needed. We recommend gathering the necessary parts ahead of time for each step. This will help save you time and make the assembly process smoother. To avoid damaging the painted surfaces, place the parts on cardboard or another soft surface if possible.

## CHOOSE AN APPROPRIATE LOCATION:



## WARNING:

Many terraces or patios are built with a slight slope to direct rainwater away from the house or other structures. For proper Sun blinds installation, a completely level surface is required. Small pebbles or uneven ground may prevent the Sun blinds from being securely anchored.

If the Sun blinds is installed on an uneven surface, it may affect the performance of accessory components and could void the product warranty. You may also need to adjust the height of the pillars for proper installation.

## PREPARE THE FOUNDATION:

To get your foundation ready, make sure to:

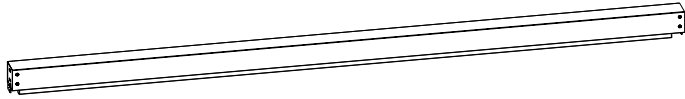
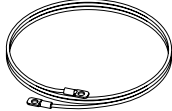
Check for underground pipes and cables (call local relative authorities before digging).

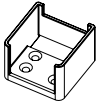
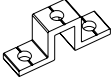
Verify with local authorities if any building permits are necessary.


If you're opting for a concrete base, consult with a reputable contractor.




# SPARE PART LIST

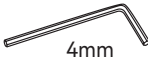

## CARTON 1/1

No.	Diagram	QTY
A-1		1
B-1		2

No.	Diagram	QTY
C1		2
C2		2

No.	Diagram	QTY
Z1		1

No.	Diagram	QTY
S1	 M6 X 10	4
S2	 M5 X 20	4
S3	 M5 X 25	8

No.	Diagram	QTY
ZO-1	 4mm	1
ZO-6	 PH2	1

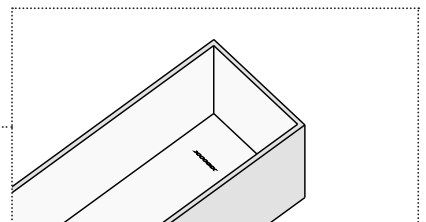
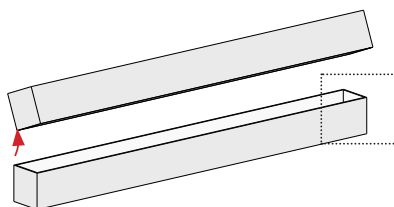
Before proceeding with the assembly of your louvered Sun blinds, it is necessary to check that all parts listed are supplied and not damaged.

Any missing part must be reported within 10 days of delivery.

You can either go through your local outlet store or make the request directly on our website.

Do not discard the packaging without ensuring that the product is functioning properly.

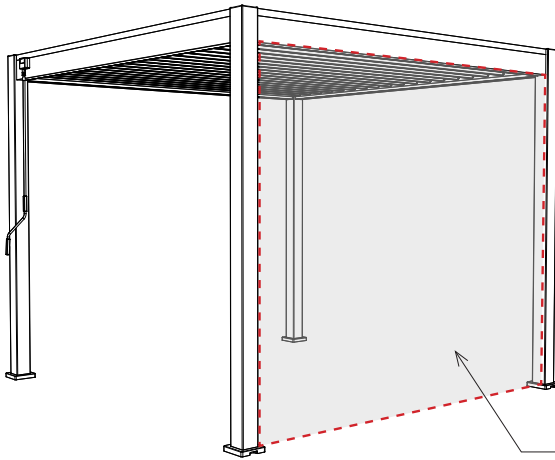
There is a Product Tracking Number in the inner side of the carton(see below diagram). For better and efficient after-sales in the future, when tear down the carton box, please take a photo of the Tracking Number and save the photo.



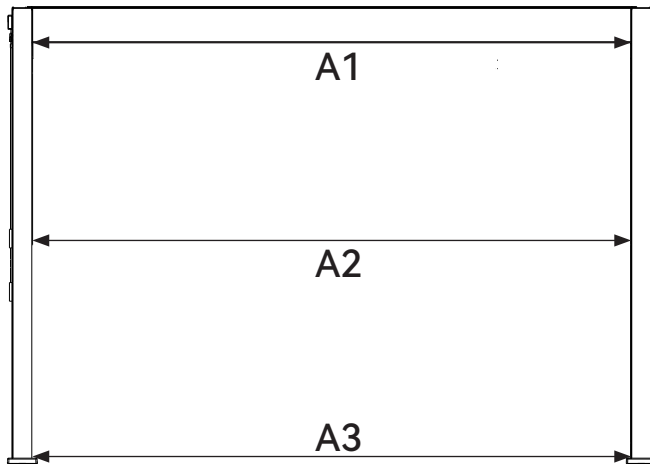
1. Notes

Before installation, please make sure the dimension should be correct as the diagram shows below, namely,  $A1=A2=A3$  and  $AX=BX$ .

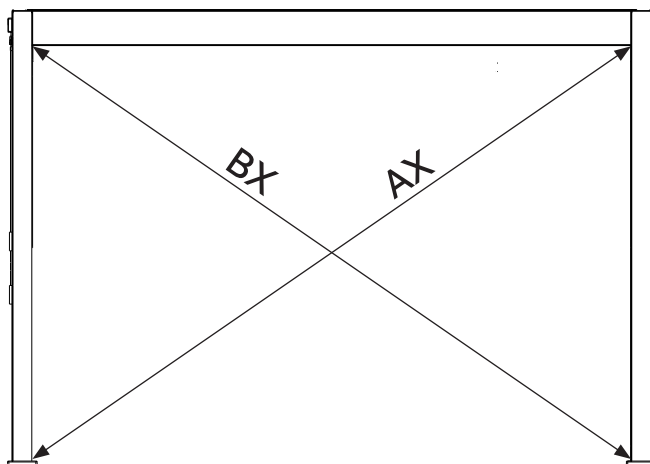
Please do not install the wind screen if the dimension is incorrect. Please adjust the finished size before installing.



Please choose which face to install the sunshade curtain.



$$A1=A2=A3$$




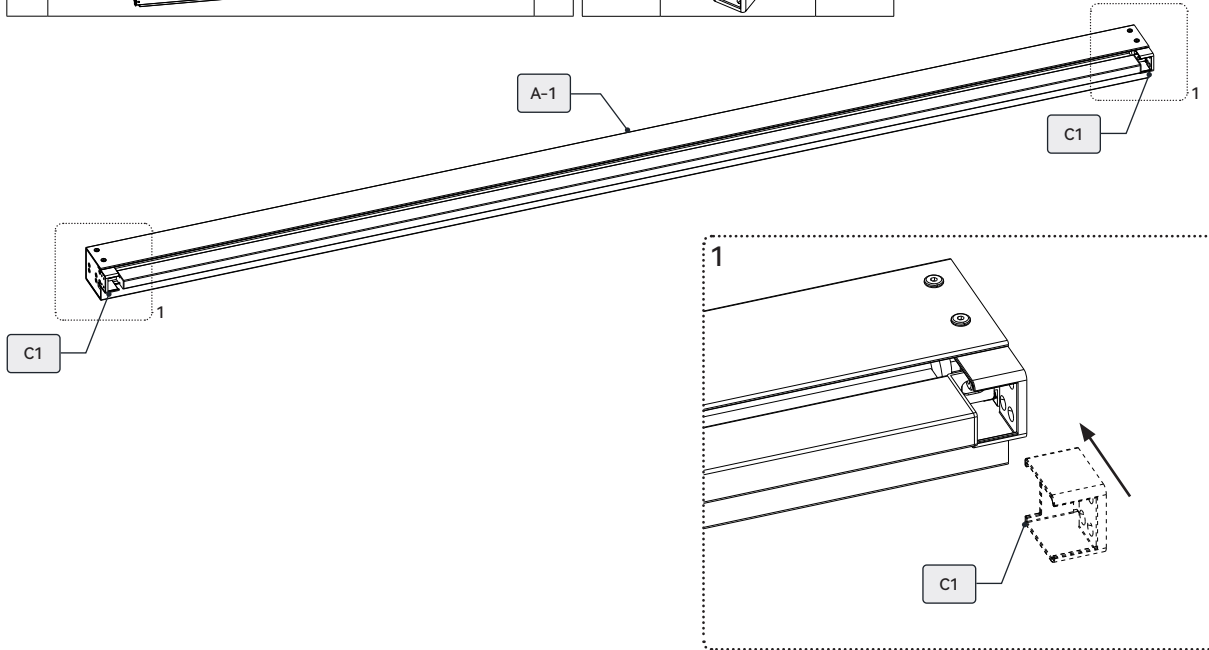
$$AX=BX$$

## 2. Install the sun blinds

### 2.1

Insert plastic part C1 into the metal fittings at both ends of component A-1.

A-1		1	C1		2
-----	---	---	----	---	---



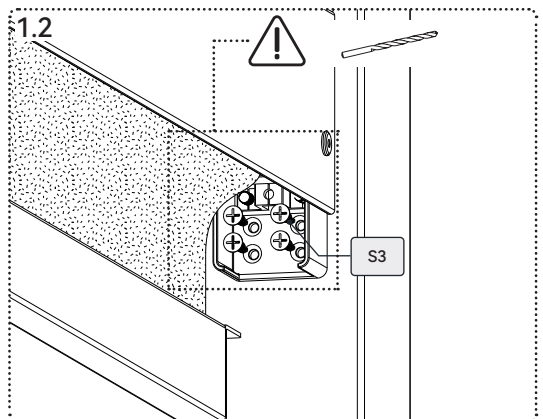
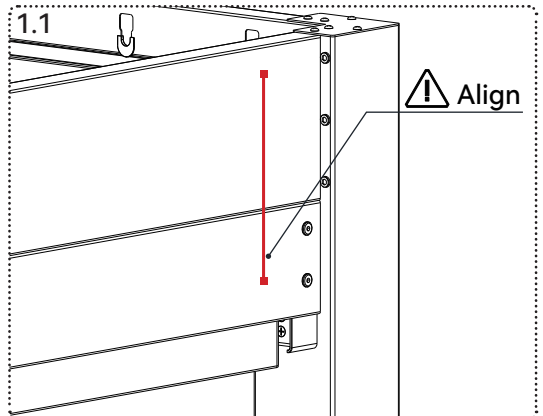
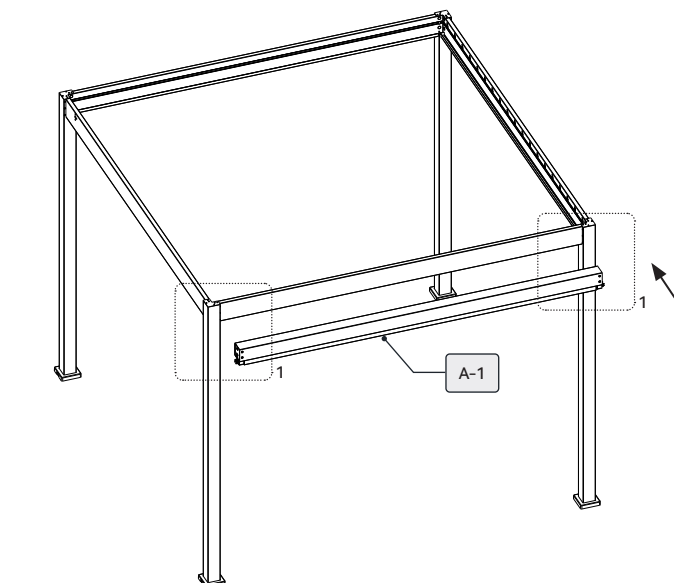
### 2.2

1.1 First, place component A-1 at the bottom of the beam and align its outer edge flush with that of the beam.

1.2 Pull the fabric curtain down slightly, and fasten component A-1 to both sides of the upright post using S3 screws.

S3		8
----	---	---

 **When installing S3 screws, please use a Z1 twist drill bit to pre-drill pilot holes in advance.**



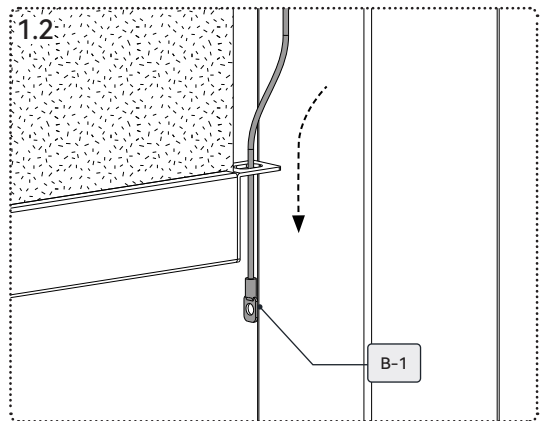
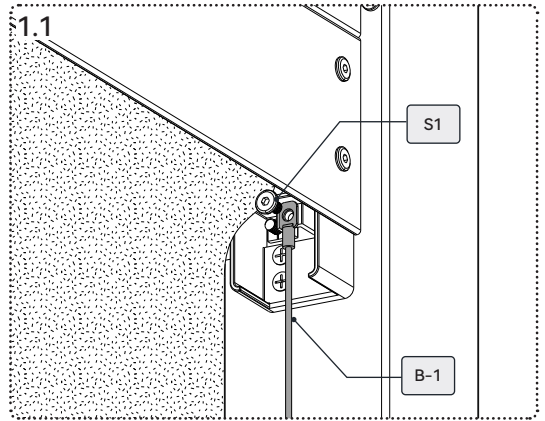
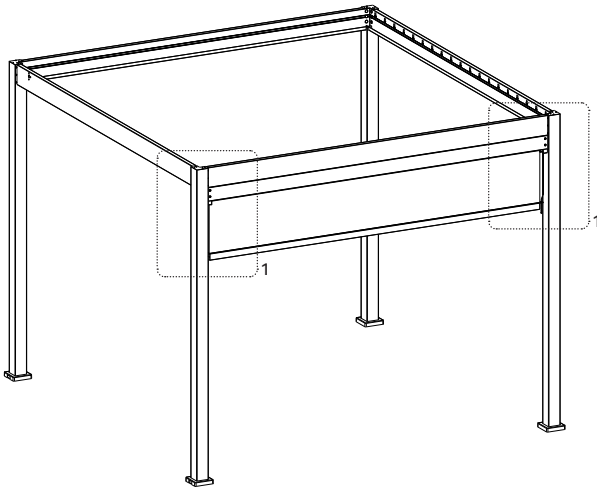
### 3. Mount the steel cable

#### 3.1

1.1 Fasten the upper end of the steel wire rope with S1 screws.




1.2 Pass the steel wire rope of component B-1 through the holes in the lower crossbar.

B-1		2	S1		2
-----	---	---	----	---	---



#### 3.2

Pull the steel wire rope vertically tight to ensure it is perpendicular to the upright post. Position part C2 24 mm away from the edge, fasten it with screws, and then secure the steel wire rope to part C2 using S1 screws.

C2		2	S1		2
			S2		4

